

Blocking, Non-Blocking / Synchronous, Asynchronous

Introduction

Blocking, Non-Blocking / Synchronous, Asynchronous .

Asynchronous Ajax(Asynchronous Javascript and XML) .

Asynchronous non-blocking .

- [1. Blocking, Non-blocking / Synchronous, Asynchronous ?](#)
- [2. Synchronous blocking I/O](#)
- [3. Synchronous Non-blocking I/O](#)
- [4. Asynchronous blocking I/O](#)
- [5. Asynchronous Non-blocking I/O](#)
- [Conclusions](#)

Prerequisite

Blocking - [https://en.wikipedia.org/wiki/Blocking_\(computing\)](https://en.wikipedia.org/wiki/Blocking_(computing))

Non-blocking - https://en.wikipedia.org/wiki/Non-blocking_algorithm


Synchronization - [https://en.wikipedia.org/wiki/Synchronization_\(computer_science\)](https://en.wikipedia.org/wiki/Synchronization_(computer_science))

Asynchrony - [https://en.wikipedia.org/wiki/Asynchrony_\(computer_programming\)](https://en.wikipedia.org/wiki/Asynchrony_(computer_programming))

1. Blocking, Non-blocking / Synchronous, Asynchronous ?

 Blocking :

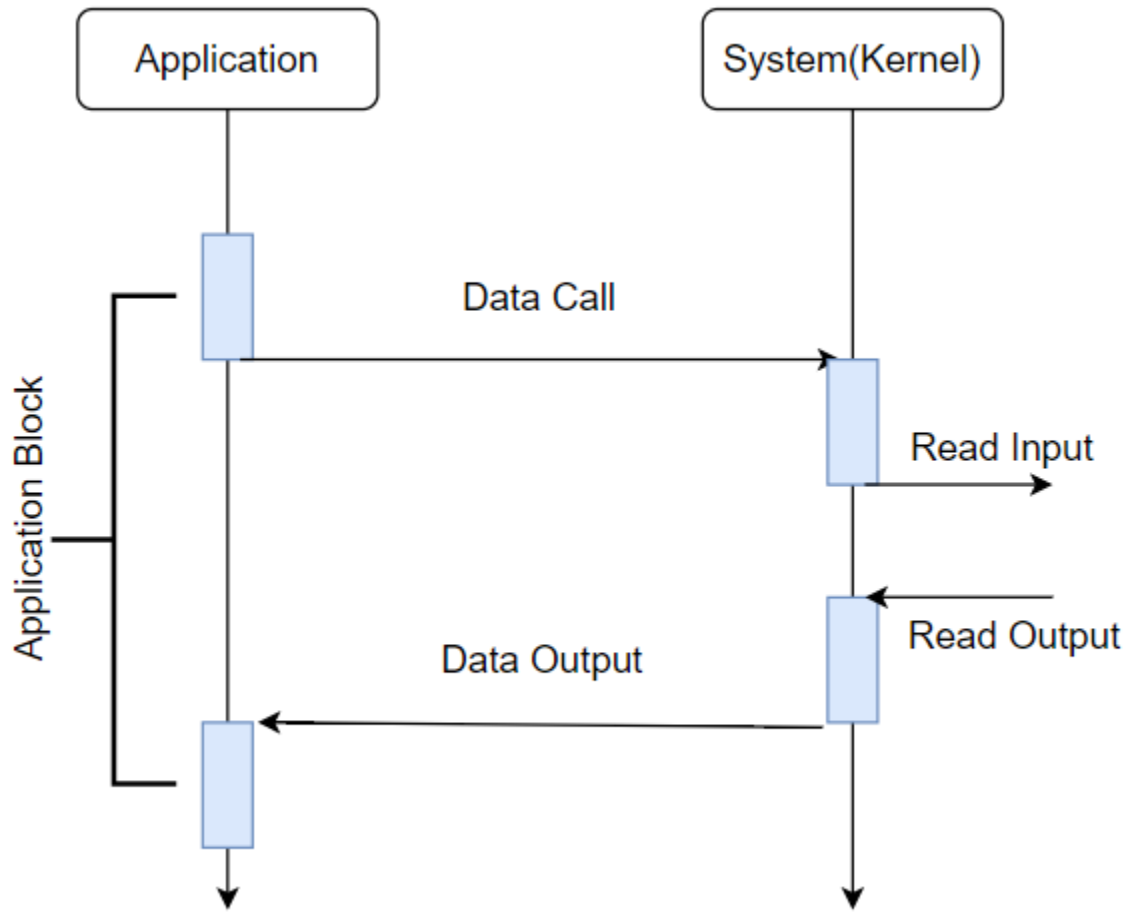
Non-blocking :

 Synchronous :

Asynchronous :

	Blocking	Non-blocking
Synchronous	Read/Write	Read/Write (Polling)
Asynchronous	I/O Multiplexing (Select / Poll)	Asynchronous I/O

2. Synchronous blocking I/O



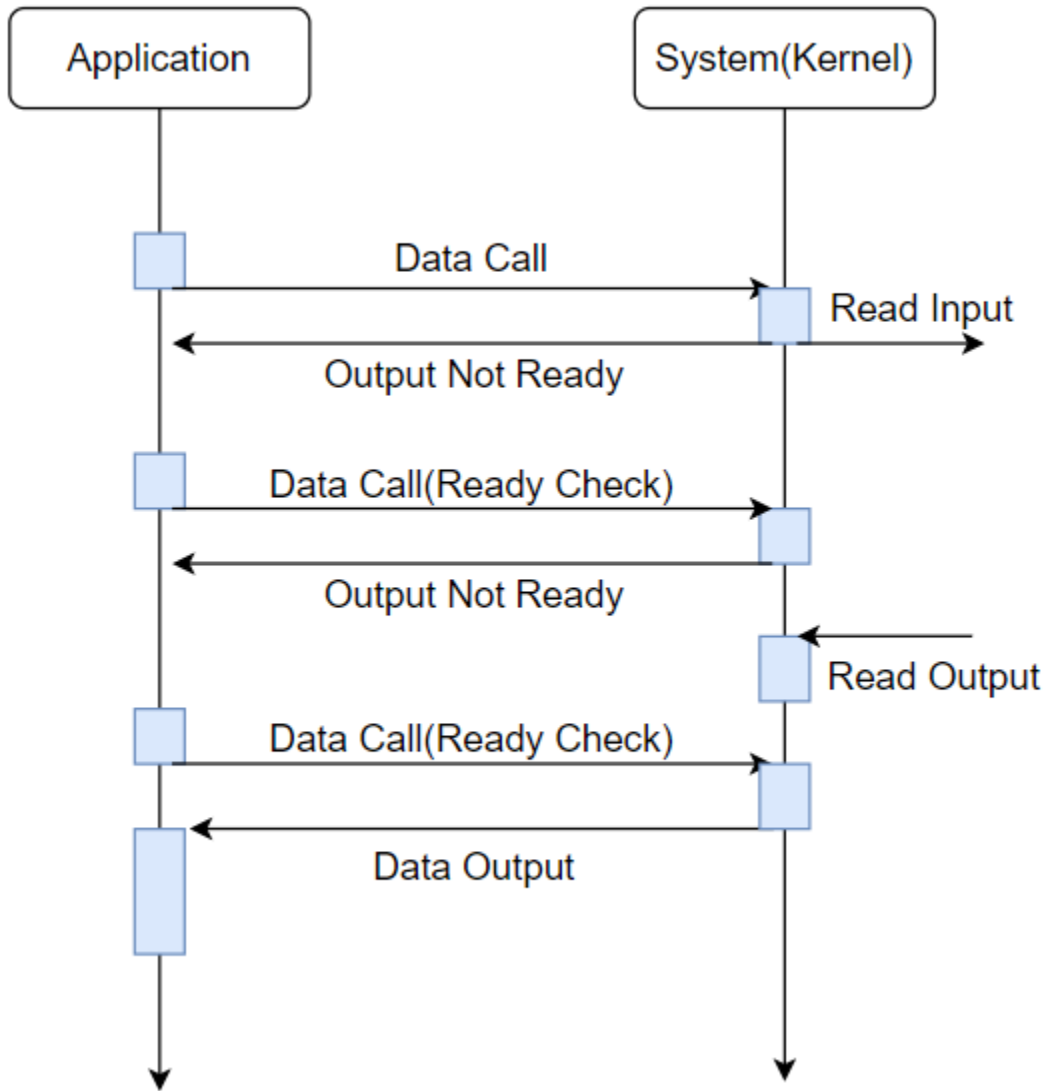
I/O read,write I/O .

Data Call , . (CPU)

, Blocking I/O (Thread) , .

Thread .

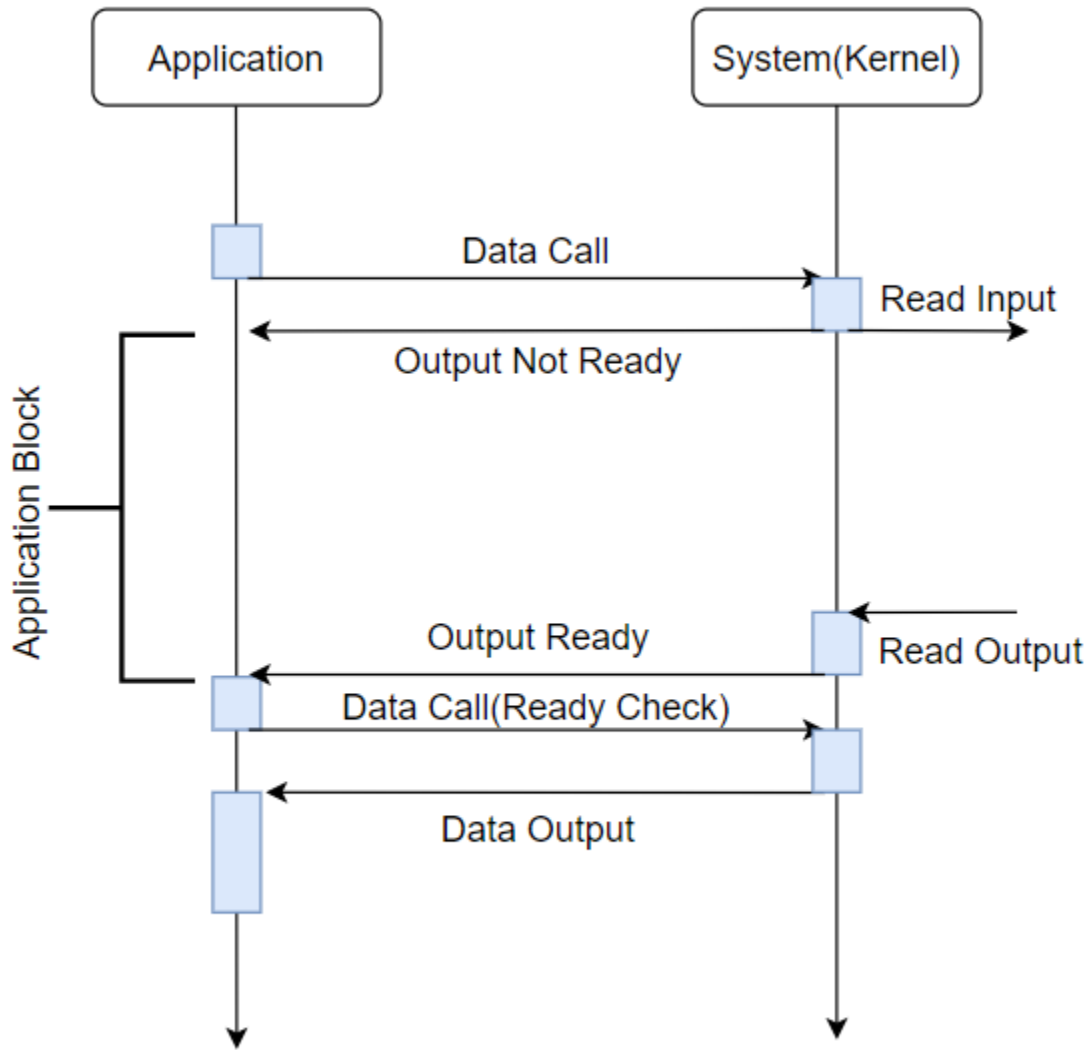
3. Synchronous Non-blocking I/O



Output blocking .

Polling . Blocking CPU .

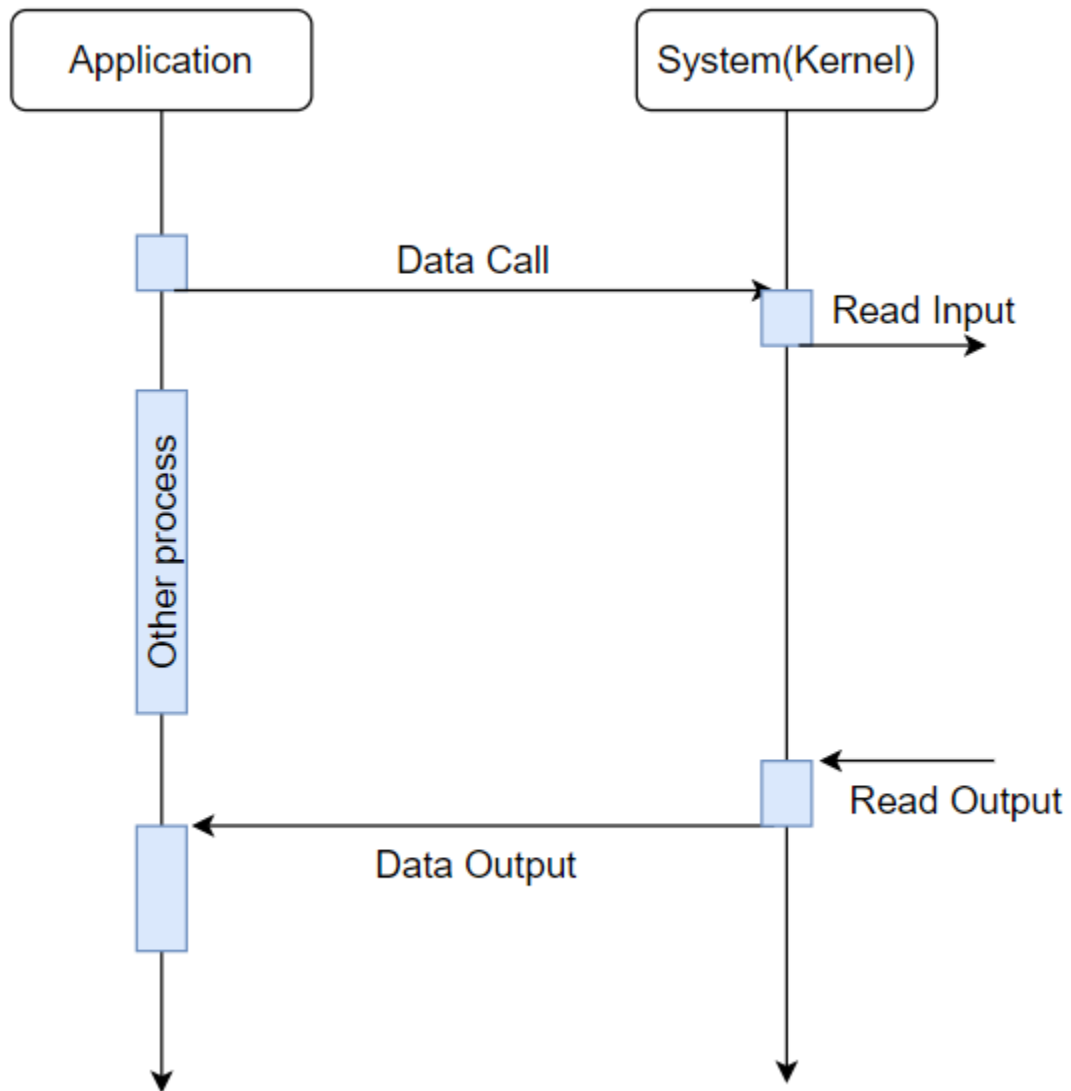
4. Asynchronous blocking I/O



Output blocking .

Output Output .

5. Asynchronous Non-blocking I/O



AIO (Asynchronous I/O)

Blocking

Conclusions

Blocking = Synchronous, Non-blocking = Asynchronous

4

Asynchronous Blocking I/O Ajax, Asynchronous Non-blocking I/O Web Socket

 References

Content by label

There is no content with the specified labels



Related Information